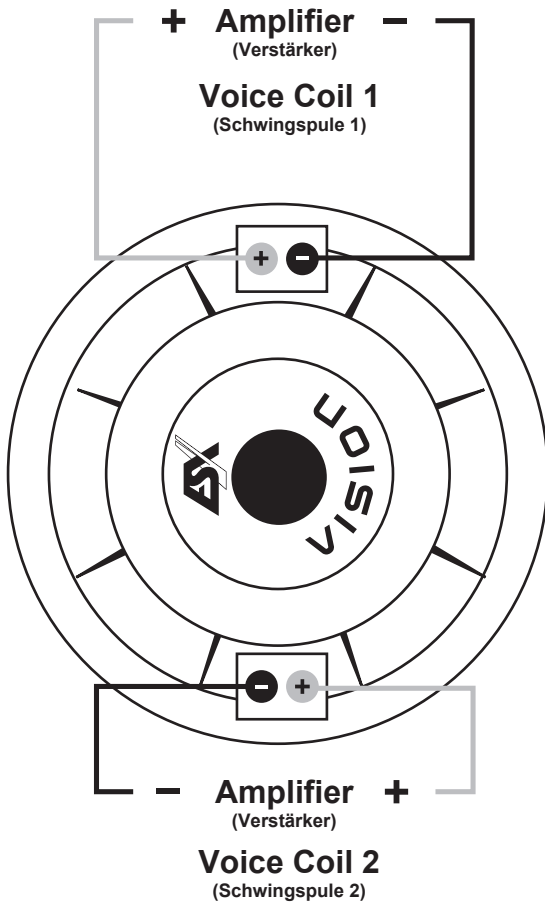


WIRING DIAGRAM (Anschlussdiagramm)

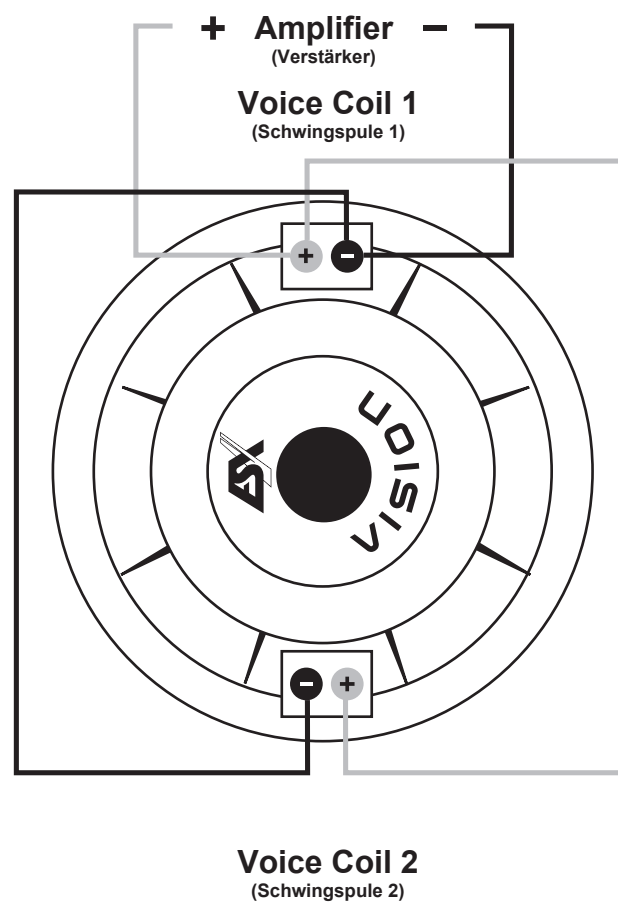
Standard

VE1222 / VE1522 = 2 + 2 Ohm



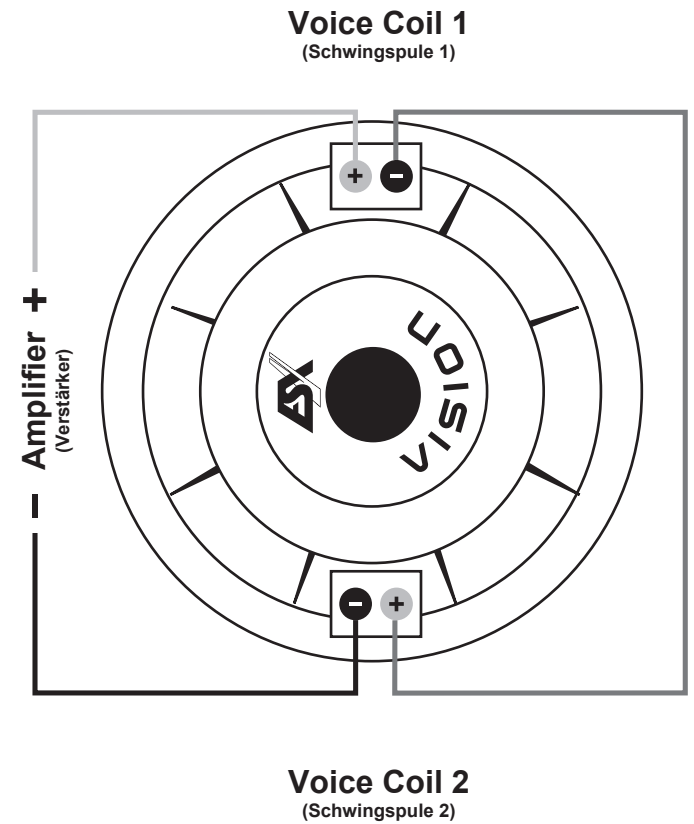
Parallel

VE1222 / VE1522 = 1 Ohm



Serial
(Reihe)

VE1222 / VE1522 = 4 Ohm



SPECIFICATIONS

(Technische Daten)

| | RMS W | MAX W | NOM. IMP. Ohm | OUTER DIAMETER Außendurchmesser mm | MOUNTING HOLE Einbauöffnung mm | MOUNTING DEPTH Einbautiefe mm | Xmax max. mm | SD cm ² | Mms g | Re Ohm | Fs Hz | Qms | Qes | Qts | VAS L | SPL dB | Le mH | VC mm |
|---------------|----------|----------|------------------|--|--------------------------------------|-------------------------------------|--------------------|-----------------------|----------|-----------|----------|------|------|------|----------|-----------|----------|----------|
| VE1222 | 3000 | 6000 | 2 + 2 | 317 | 284 | 224 | 50 | 510 | 245 | 4 | 36 | 5,22 | 0,34 | 0,32 | 29 | 88 | 2,2 | 76 |
| VE1522 | 4000 | 8000 | 2 + 2 | 395 | 358 | 260 | 50 | 844 | 322 | 4 | 35 | 5,25 | 0,43 | 0,40 | 64 | 90 | 2,2 | 76 |

RECOMMENDED ENCLOSURES

(Gehäuse-Vorschläge)

| | VENTED ENCLOSURE - SOUND QUALITY (Bassreflex-Gehäuse - Klangqualität) | | | | | VENTED ENCLOSURE - SPL (Bassreflex-Gehäuse - SPL) | | | | |
|---------------|--|---------------|-----------------|-------------------|----------------------------|--|---------------|-----------------|-------------------|----------------------------|
| | VOLUME Volumen | -3dB FREQ. | TUNING FREQ. | PORT Ø Kanal Ø | PORT LENGTH Kanal Länge | VOLUME Volumen | -3dB FREQ. | TUNING FREQ. | PORT Ø Kanal Ø | PORT LENGTH Kanal Länge |
| | Vb L | F3 Hz | Fb Hz | cm | cm | Vb L | F3 Hz | Fb Hz | cm | cm |
| VE1222 | 55 | 33 | 38 | 10 | 22 | 75 | 39 | 48 | 2 x 10 | 16 |
| VE1522 | 90 | 32 | 37 | 2 x 10 | 26 | 125 | 38 | 47 | 4 x 10 | 18 |

DISTRIBUTION: